

# Determining the Serial Number of an In-Wall Rear Projection SMART Board™ Interactive Whiteboard



**Applies to:** All In-Wall *Rear Projection* SMART Board™ interactive whiteboards

## Overview

This document explains how to determine the serial number of an In-Wall *Rear Projection* SMART Board interactive whiteboard.

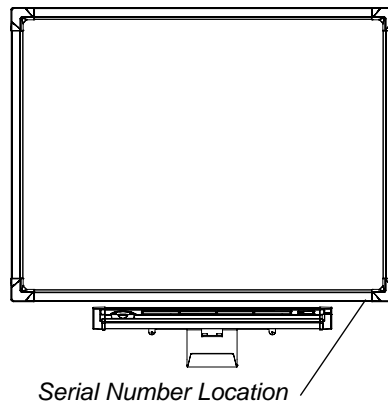
**NOTE:** You need this serial number to obtain a product key for Notebook™ software 10.

## Details

In-Wall *Rear Projection* SMART Board interactive whiteboards consist of two main pieces: the interactive screen and the mirror stand. Each piece has a different serial number.

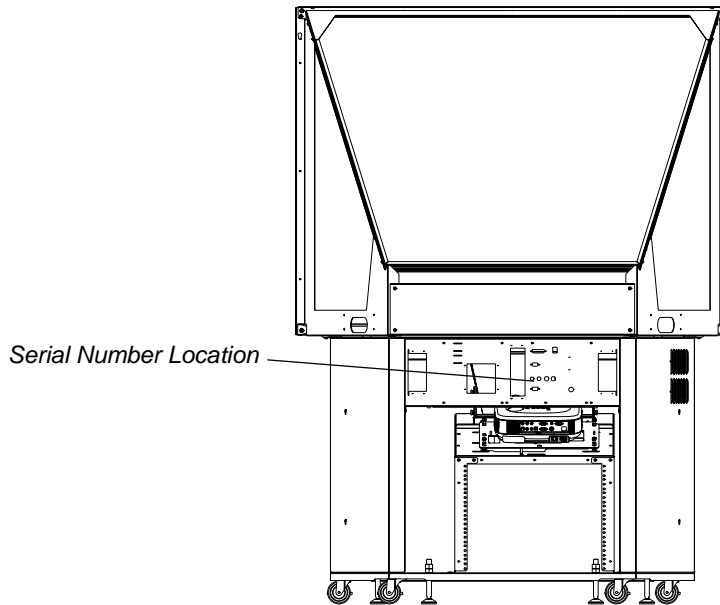
### To locate the interactive screen's serial number

The serial number is located on the right-hand bottom edge of the interactive whiteboard's frame. The number follows the format: RBxxx-xx-xxxxx.



## To locate the mirror stand's serial number

The serial number is located on a white sticker on the back of the mirror stand. The number follows the format: MS-xxxx-xxxxx.



## NOTES

- You can't use the serial number to determine the interactive whiteboard's model number. To determine the model number, contact Technical Support and provide your mirror stand's serial number.
- For information about locating the serial number of other SMART hardware products:
  - See document [84327](#) - *Front Projection SMART Board* interactive whiteboard
  - See document [84318](#) - *Rear Projection SMART Board* interactive whiteboard
  - See document [84319](#) - *SMART Board for Flat-Panel Displays* interactive whiteboard
  - See document [84324](#) - *Actalyst™* interactive digital signage
  - See document [84325](#) - *AirLiner™* wireless slate
  - See document [84323](#) - *Symposium™* interactive pen display

**First Published:** August 31, 2007

**Last Updated:** April 15, 2008

www.smarttech.com/support www.smarttech.com/contactsupport  
Support +1.403.228.5940 or Toll Free 1.866.518.6791 (U.S./Canada)

© 2007–2008 SMART Technologies ULC. All rights reserved. SMART Board, Notebook, Actalyst, AirLiner, Symposium, smarttech and the SMART logo are trademarks or registered trademarks of SMART Technologies ULC in the U.S. and/or other countries. All other third-party product and company names may be trademarks of their respective owners. Patent No. US5448263; US6141000; US6326954; US6337681; US6741267; US6747636; US6803906; US6919880; US6947032; US6954197; US6972401; US7151533; US7184030; US7236162; CA2058219; CA2453873; EP1297488; ES2279823; CN1310126; and DE60124549. 04/2008.

**SMART**  
Technologies